

• ABOUT US •

Driven by the passion for innovation, we at Dr Trust endeavour to provide our customers with the latest medical inventions with an objective to promote good health and wellness all around the world. All the medical devices and health monitors provided by Dr Trust are supported by accurate, latest and ground breaking technologies, innovated at our headquarter in NY, USA. All our products adhere to the most stringent CE and FDA guidelines and are strongly recommended by doctors and health practitioners. Our products are designed in the utmost exemplary ways to ensure that their accuracy and convenience are unrivalled. The ease of their use and operation makes them even more suitable for users of all age groups.

Dr Trust strives to enhance the quality of lifestyle by providing with the most trusted and innovative health care and wellness products. Being a renowned global leader in health care products, Dr Trust ensures that our technically efficient team works dynamically and tirelessly to provide the best of the medical devices to our clients. The products that we have to offer are suitably designed for use at homes, laboratories and hospitals.

Our ground breaking solutions allow you to monitor your health in the easiest ways possible. In today's era when all of our lives are too hassled to handle, it becomes a bit difficult to pay attention to our health. But it has now become easier with the coming of the monitoring devices which can be conveniently used at homes and even on the go.

We bring to you a variety of best self medical devices, trusted and used by Doctors, medical professionals and home users all over the world.

Dr Trust

Compressor Nebulizer – 408

• QUICK STARTUP GUIDE •

Step 1

Wash your hands and prepare the medicine cup with adding prescribed medicines.

Step 2

Connect the hose to the unit.

Step 3

Attach the hose and mouthpiece to the medicine cup.

Step 4

Plug in the socket and place the mouthpiece in your mouth.

Step 5

Power on and breathe in until all the medicine is consumed.

Step 6

Turn off the machine and wash the medicine cup and mouthpiece.



OVERVIEW

The Dr Trust Compressor Nebulizer – 408 is a compact medical device designed to efficiently deliver prescribed medication to the bronchial lung passages. It creates a stream of air that travels through a clear tube to the nebulizer and converts liquid medication into very small particles for easy inhalation. It is very effective for the treatment of many medical conditions besides asthma. The product is easier to use especially for children who are not able to hold inhalers properly, or adults with severe asthma.

Your doctor has prescribed a liquid medication to treat your respiratory condition. To best utilize this liquid medication, he has prescribed a Dr Trust Brand compressor/nebulizer. Your Dr. Trust Brand Compressor Nebulizer works to convert the medication to a high-quality mist of fine particles that penetrates deep into the lungs.

Carefully read these instructions and keep them in a safe place for future reference. Use the unit only as described in this instruction booklet. Not Following the instruction in this booklet may cause hazards.

This medical device is to be used only upon medical prescription. This medical device for home usage only.

The contents of this booklet are in no way to be understood as medical advice and under no circumstances replace medical /clinical judgement, advice & experience.

INTENDED USE

Your Nebulizer is intended for use in the treatment of asthma, COPD and other respiratory ailments in which an aerosolized medication is required during therapy. Please consult with your physician and/or pharmacist to determine if your prescription medication is approved for use with this Nebulizer.

INTENDED USER

Certified medical experts such as, doctors, nurses' therapists etc. Caretaker or patient under guidance of qualified medical experts. User capable of reading and understanding the contents of this INSTRUCTION BOOKLET and general understanding of the product.

INTENDED PATIENTS

Can be used on Pediatric or adults however should not be used on patients who are not breathing on their own or those who are unconscious or those who cannot express their feelings to the care giver.

ENVIROMENT

The product can be used for indoor use only in a doctor's office, home, or healthcare facility. Please see detail environmental conditions for use, transport, and storage in technical details. Please see detail environmental conditions for use, transport, and storage in technical specifications table.

Durable Period

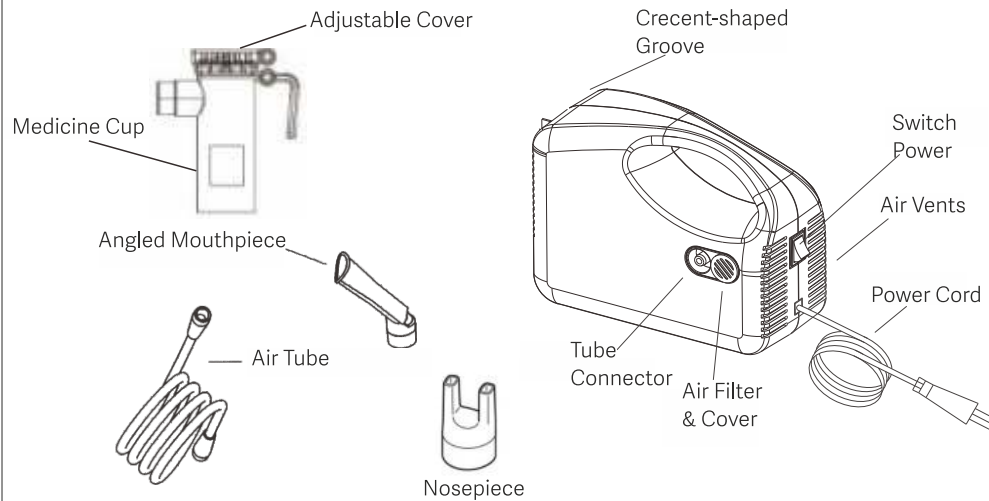
The durable period is based on use to nebulize saline 3 times a day for 10 minutes each provided the product is used in accordance with this INSTRUCTION BOOKLET

Compressor	5 Years	Air Tube	1 Year
Nebulizer Medicine Bottle	1 Year	Air Filter	6 Months
Mouthpiece	1 Year	Adult Mask	1 Year
Nosepiece	1 Year	Child Mask	1 Year



Disclaimer: The Compressor Nebulizer should be used as per the guidance of a licensed physician and/or a respiratory therapist. We encourage you read thoroughly this guidebook to learn about the features of this product. Any use of this product other than its intended use should always be avoided.

PRODUCT IDENTIFICATION



-Mask (Adult & Child)

-Extra Filters

-Storage bag

IMPORTANT SAFEGUARDS

Read all instructions carefully before use. The following basic precautions are needed when using an electrical product:

⚠ Product Cautions

- Keep the unit away from water.
- Do not immerse the power cord or the unit in liquid.
- Do not use while bathing.
- Do not reach for a unit that has fallen into water immediately unplug the unit.
- Never operate the unit if it has any damaged parts (including power cord).
- If it has been dropped or submersed in water, promptly send it to a professional service person for examination and repair.
- The unit should not be used where flammable gas, oxygen or aerosol spray products are being used.
- Keep the air vents open. Do not place the unit on a soft surface where the openings can be blocked.
- If the medicine cup is empty, do not attempt to operate the unit.
- If any abnormality occurs, discontinue use until the unit has been examined and repaired.
- The unit should not be left unattended while plugged in.
- Do not tilt or shake the unit when in operation.
- Disconnect the unit from the electrical outlet before cleaning, filling and after each use.
- Do not use other attachments unless recommended by manufacturer.

⚠ Operating Cautions

- Please check equipment label on bottom of instrument for exact power supply requirement. Incorrect power supply can damage equipment permanently.



- Connect this product to an appropriate voltage outlet for your model.
- Do not run this product unattended.
- Always unplug the product immediately after use.
- Never block the air openings of the main unit or place it where the air openings may be obstructed.
- Never operate if this unit has a damaged cord or plug, if it has been dropped, or in any way, submerged into water, if it does not work properly. If any abnormality occurs, discontinue use immediately until the unit has been examined and repaired.

⚠ Storage Cautions

- Do not store the unit under direct sunlight, high temperature or humidity, noxious fumes, volatile substances, flammable gases, heat sources, corrosive fluids, and gases.
- Keep the unit out of reach of small children.
- Always keep the unit unplugged while not in use.

⚠ Cleaning Cautions

- Do not immerse the unit in water. It may damage the unit.
- Disconnect the unit from the electrical outlet before cleaning.
- Clean all necessary parts after each use as instructed in this guidebook.
- All parts of the nebulizer kit, except tubing, should be cleaned according to the following instructions. Your physician may specify a certain cleaning procedure. If so, follow their recommendations.
- Wash all items, except tubing, in a warm water / dishwashing detergent solution. Rinse under warm tap water remove detergent residue. Allow to air dry.

Note: Do not towel dry nebulizer parts, this could cause contamination. It is recommended to replace the medication nebulizer medicine cup once a year or as directed by your doctor.

- The Nebulizer kit is recommended for single patient use only to prevent cross infection.
- To prevent possible risk of infection from contaminated cleaning solutions, always prepare fresh solution, for each cleaning cycle and discard solution after each use.

⚠ To prevent possible risk of infection from contaminated medication, cleaning of the nebulizer is recommended after each aerosol treatment. Disinfecting is recommended once a day.

• HOW TO USE •

Note: Prior to initial operation, the nebulizer should be thoroughly cleaned. Place your Compressor Nebulizer on a flat and stable surface. Be sure that you can easily reach the controls when you are seated.

- Gently twist the top part of the nebulizer counterclockwise to disassemble the nebulizer.
- Fill the bottom section of the nebulizer with the medication prescribed by your physician. Be sure that the cone is put inside the bottom section.
- Gently twist the top part clockwise to reassemble the nebulizer.
- Be sure the two sections fit well.
- Attach one end of air tube to the base of the nebulizer.
- Attach the other end of air tube to the tube connector located on the front of the compressor.
- Attach mouthpiece or mask as per your choice to the top section and fill.
- Plug power cord into an appropriate wall outlet.

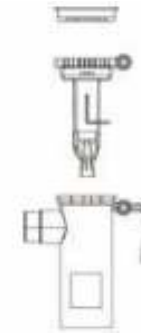


- Do not use this product with a DC to AC converter, or with any AC voltage and/or frequency other than specified
- Press the power switch "On" (ON) Position to start the compressor as aerosol being to flow, inhale deeply and slowly, hold & then exhale slowly. Follow instructions as given by your physician If treatment needs to be interrupted, simply press power switch "(OFF)"
- When treatment is complete, turn unit "OFF" (OFF) by pressing the power switch to the "OFF" position. Unplug the unit from the wall power outlet. Clean the appliance & accessories as Indicated.
- It may happen that during the use of the nebulizer visible humidity deposits form in the connection tube disconnect the tube from the nebulizer and let it dry using the compressor air flow.
- The nebulizer is made with high quality of plastic which is safe for use. However due to variety and continuous evolution of the drugs, the possibility of a chemical interaction cannot be excluded. Once opened, the drug should be used as soon as possible, and prolonged contact between drug and nebulizer should be avoided.
- The use of ESSENTIAL OILS can cause damage to the Nebulizer.

⚠️ Compressor/nebulizer must be operated on the specified power source to avoid risk of electric shock and damage to the compressor. See on product rating label for power details.

⚠️ Wash hands. Ensure Hands are dry.

⚠️ Allow specified off period for instrument to cool before resuming use.



Place Cone inside and fill medication

• CLEANING •

It is recommended that the nebulizer, mouthpiece, and mask be thoroughly cleaned with hot water after each use and cleaned with a mild detergent after the last treatment of the day. If your physician or respiratory therapist specifies a different cleaning procedure, follow their instructions.

Rinsing (after each treatment):

- Clean the nebulizer kit before using for first time after purchase.
- Disconnect the air tube, nebulizer, mouthpiece, and mask.
- Gently twist the nebulizer to open it.
- Rinse the nebulizer, mouthpiece, and mask with water.
- Dry them with clean, soft towel or let it air dry.
- Reassemble the nebulizer when completely dry and put these parts in a dry, sealed container



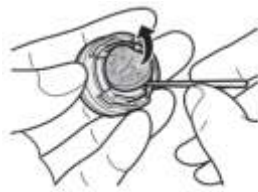
- **Disinfect Daily**
- Using a clean container or bowl, soak items for 30 minutes in three parts warm water & one part medical bacterial-germicidal disinfectant available through your provider. With clean hands,
- remove items from disinfectant solution, rinse under warm tap water, and air dry on clean paper towel. Store in a dry sealed container.
- Keep the outer surface of the tubing dust free by wiping regularly. Nebulizer tubing does not have to be washed because only filtered air passes through it.
- Wipe outside of the compressor cabinet with a clean damp cloth to keep dust free.
- Reassemble the nebulizer when completely dry and put these parts in a dry, sealed container.



• CHANGING THE AIR FILTER •

Note: If the air filter has changed colour, please replace it with a new one.

1. Pull the air filter cover of the compressor.
2. Change the air filter after removing the old air filter with any sharp object carefully.
3. Put the air filter cover back in place.



⚠ Caution: Do not reuse or wash filter or substitute any other material such as cotton for a air-inlet filter. It will result in compressor damage.

• FUNCTIONAL TEST •

- Before use check the parts are connected properly and securely.
- The connections are not loose.
- There is no damage to the parts.
- The nozzle and tube are not blocked or and the compressor operated normally.

• TECHNICAL SPECIFICATIONS •

Voltage	220V AC~
Frequency	50Hz
Power	100VA
Fuse	5A – 250V
On time // Off Time	60 minutes // 30 minutes
Medicine Bottle Capacity	12 ml max.
Particle Size	4.2 MMAD
Sound Level	65dBA
Average Nebulization Rate	0.25 ml/min typical (Weight loss Method)



Compressor Outlet Pressure Range	29 to 43 PSI, 2.0 to 3.0Bar
Air Flow Rate	6 – 8 LPM approximate
Operating Temperature Range	10 °C to 40 °C (50 °F to 104 °F) Humidity min. 30-85% RH, Pressure min. 600 hPa, max. 1060 hPa
Storage Temperature Range	-20 °C to 70 °C (-4 °F to 158 °F) humidity min. 10%, max 95% RH Noncondensing Pressure min. 600 hPa, max. 1060 hPa
Dimension	180x150x80mm
Weight	1.18kg
Standard Accessories	Nebulizer, Air Tube, Adult Mask, Child's Mask Mouthpiece, Extra Filters (5), Nose Piece, Medicine Chamber,
Protection Against Electric Shock	Class II Equipment

CUSTOMER SUPPORT

CONTACT ADDRESS

USA

Nureca INC.USA
276 5th Avenue, Suite 704-397,
New York (NY) - 10001, USA

INDIA

Corporate Office (Mumbai)
Nureca Limited
128 Gala Number Udyog Bhavan,
1st Floor Sonawala Lane, Goregaon East
Mumbai City Maharashtra 400063

Contact us

India: +91-7527013265 /+91-9356658436

Website: www.drtrust.in

Corp Website: www.nureca.com

Email: customercare@nureca.com

Connect with us on social networks

Facebook: @drtrust

Instagram: @drtrustisin

Youtube: NurecaUsa

COPYRIGHT©2021 NURECA LTD ALL RIGHTS RESERVED



Scan to View
Product Demo Video
www.drtrustusa.com/408