

• ABOUT US •

Driven by the passion for innovation, we at Dr Trust endeavour to provide our customers with the latest medical inventions with an objective to promote good health and wellness all around the world. All the medical devices and health monitors provided by Dr Trust are supported by accurate, latest and ground breaking technologies, innovated at our headquarter in NY, USA. All our products adhere to the most stringent CE and FDA guidelines and are strongly recommended by doctors and health practitioners. Our products are designed in the utmost exemplary ways to ensure that their accuracy and convenience are unrivalled. The ease of their use and operation makes them even more suitable for users of all age groups.

Dr Trust strives to enhance the quality of lifestyle by providing with the most trusted and innovative health care and wellness products. Being a renowned global leader in health care products, Dr Trust ensures that our technically efficient team works dynamically and tirelessly to provide the best of the medical devices to our clients. The products that we have to offer are suitably designed for use at homes, laboratories and hospitals.

Our ground breaking solutions allow you to monitor your health in the easiest ways possible. In today's era when all of our lives are too hassled to handle, it becomes a bit difficult to pay attention to our health. But it has now become easier with the coming of the monitoring devices which can be conveniently used at homes and even on the go.

We bring to you a variety of best self medical devices, trusted and used by Doctors, medical professionals and home users all over the world.

Dr Trust

Bestest Compressor Nebulizer – 401

• QUICK STARTUP GUIDE •

Step 1

Wash your hands and prepare the medicine cup with adding prescribed medicines.

Step 2

Connect the hose to the unit.

Step 3

Attach the hose and mouthpiece to the medicine cup.

Step 4

Plug in the socket and place the mouthpiece in your mouth.

Step 5

Power on and breathe in until all the medicine is consumed.

Step 6

Turn off the machine and wash the medicine cup and mouthpiece.



OVERVIEW

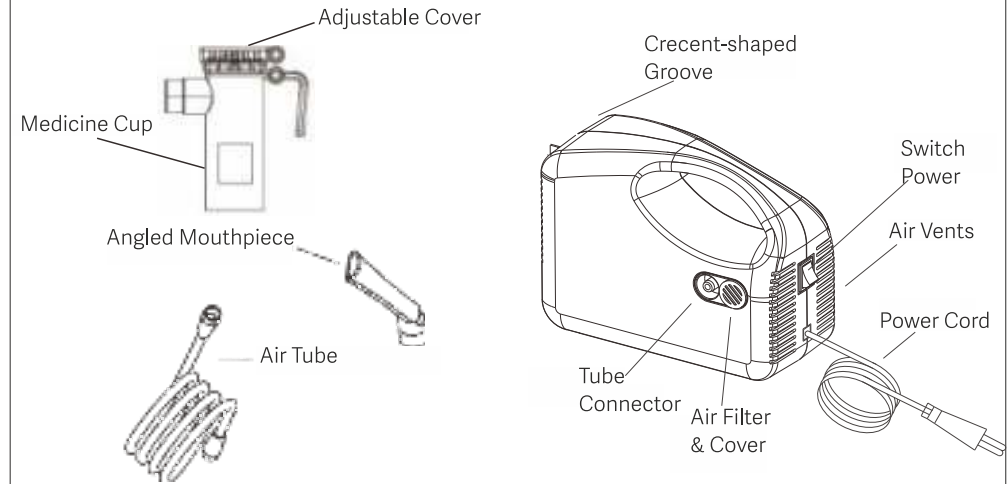
The Dr Trust Bestest Compressor Nebulizer – 401 is a compact medical device designed to efficiently deliver prescribed medication to the bronchial lung passages. It creates a stream of air that travels through a clear tube to the nebulizer and converts liquid medication into very small particles for easy inhalation. It is very effective for the treatment of many medical conditions besides asthma. The product is easier to use especially for children who are not able to hold inhalers properly, or adults with severe asthma.

INTENDED USE

Your Nebulizer is intended for use in the treatment of asthma, COPD and other respiratory ailments in which an aerosolized medication is required during therapy. Please consult with your physician and/or pharmacist to determine if your prescription medication is approved for use with this Nebulizer.

Disclaimer: The Compressor Nebulizer should be used as per the guidance of a licensed physician and/or a respiratory therapist. We encourage you read thoroughly this guidebook to learn about the features of this product. Any use of this product other than its intended use should always be avoided.

PRODUCT IDENTIFICATION



IMPORTANT SAFEGUARDS

Read all instructions carefully before use. The following basic precautions are needed when using an electrical product:

Product Cautions

- Keep the unit away from water.
- Do not immerse the power cord or the unit in liquid.
- Do not use while bathing.
- Do not reach for a unit that has fallen into water immediately unplug the unit.
- Never operate the unit if it has any damaged parts (including power cord).



- If it has been dropped or submersed in water, promptly send it to a professional service person for examination and repair.
- The unit should not be used where flammable gas, oxygen or aerosol spray products are being used.
- Keep the air vents open. Do not place the unit on a soft surface where the openings can be blocked.
- If the medicine cup is empty, do not attempt to operate the unit.
- If any abnormality occurs, discontinue use until the unit has been examined and repaired.
- The unit should not be left unattended while plugged in.
- Do not tilt or shake the unit when in operation.
- Disconnect the unit from the electrical outlet before cleaning, filling and after each use.
- Do not use other attachments unless recommended by manufacturer.

Operating Cautions

- Connect this product to an appropriate voltage outlet for your model.
- Do not run this product unattended.
- Always unplug the product immediately after use.
- Never block the air openings of the main unit or place it where the air openings may be obstructed.
- Never operate if this unit has a damaged cord or plug, if it has been dropped, or in any way, submerged into water, if it does not work properly. If any abnormality occurs, discontinue use immediately until the unit has been examined and repaired.

Storage Cautions

- Do not store the unit under direct sunlight, high temperature or humidity.
- Keep the unit out of reach of small children.
- Always keep the unit unplugged while not in use.

Cleaning Cautions

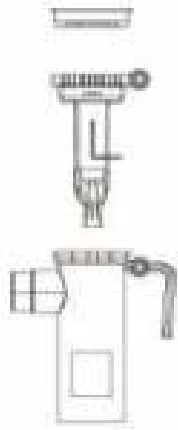
- Do not immerse the unit in water. It may damage the unit.
- Disconnect the unit from the electrical outlet before cleaning.
- Clean all necessary parts after each use as instructed in this guidebook.

• HOW TO USE •

Note: Prior to initial operation, the nebulizer should be thoroughly cleaned. Place your Compressor Nebulizer on a flat and stable surface. Be sure that you can easily reach the controls when you are seated.

- Gently twist the top part of the nebulizer counterclockwise to disassemble the nebulizer.
- Fill the bottom section of the nebulizer with the medication prescribed by your physician. Be sure that the cone is put inside the bottom section.
- Gently twist the top part clockwise to reassemble the nebulizer.
- Be sure the two sections fit well.
- Attach one end of air tube to the base of the nebulizer.
- Attach the other end of air tube to the tube connector located on the front of the compressor.
- Attach mouthpiece or mask per your choice to the top section and fill.





Place Cone
inside and
fill medication

CLEANING

It is recommended that the nebulizer, mouthpiece, and mask be thoroughly cleaned with hot water after each use and cleaned with a mild detergent after the last treatment of the day. If your physician or respiratory therapist specifies a different cleaning procedure, follow their instructions.

Rinsing (after each treatment):

- Disconnect the air tube, nebulizer, mouthpiece, and mask.
- Gently twist the nebulizer to open it.
- Rinse the nebulizer, mouthpiece, and mask with water.
- Dry them with clean soft towel or let it air dry.
- Reassemble the nebulizer when completely dry and put these parts in a dry, sealed container.

Disinfections:

- Please follow the following steps to disinfect your nebulizer unless otherwise specified by your physician. It is suggested that the unit is disinfected after the last treatment of the day.
- Use one-part white vinegar with three parts distilled water. Make sure mixed Solution is enough to submerge the nebulizer, mouthpiece, and mask.

CHANGING THE AIR FILTER

Note: If the air filter has changed colour, please replace it with a new one.

Step1

Pull the air filter cover off the compressor.

Step2

Change the air filter after removing the old air filter with any sharp object carefully.

Step2

Put the air filter cover back in place.



• SPECIFICATIONS •

Power	220V/50Hz
Current	0.8A
Medication Capacity	8 ml
Particle Size	0.5 to 10 um
Sound Level	65dBA
Average Nebulization Rate	25 ml/min
Compressor Pressure Range	22 to 58 PSI
Liter Flow Range	6.7 lpm
Operating Temperature Range	10 °C to 40 °C (50 °F to 104 °F)
Storage Temperature Range	-20 °C to 70 °C (-4 °F to 158 °F)
Dimension	180x150x80mm
Weight	1.18kg
Standard Accessories	Nebulizer, Air Tube, Adult Mask, Child's Mask Mouthpiece, Filters (5)
Protection Against Electric Shock	Class II Equipment

• CUSTOMER SUPPORT •

CONTACT ADDRESS

USA

Nureca INC.USA
276 5th Avenue, Suite 704-397,
New York (NY) - 10001, USA

INDIA

Corporate Office (Mumbai)

Nureca Limited
B2-166, Time Square, 7th and 8th Floor, CTS No 349
and 349-1 Western Express Highway, Andheri East,
Mumbai, Mumbai City, Maharashtra, 400069

Contact us

India: +91-7527013265 / +91-9356658436

Website: www.drtrustusa.com

Email: customercare@nureca.com

Connect with us on social networks

Facebook: @drtrust

Instagram: @drtrustisin

Youtube: NurecaUsa

COPYRIGHT©2020 DR TRUST ALL RIGHTS RESERVED



Scan to View
Product Demo Video
www.drtrustusa.com/401